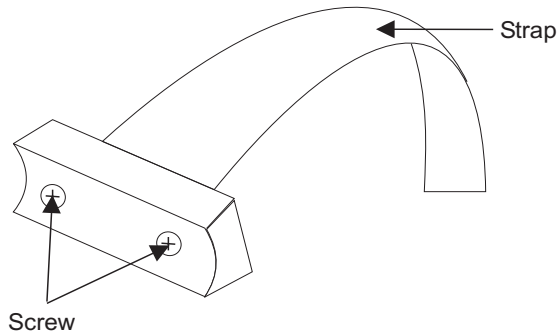
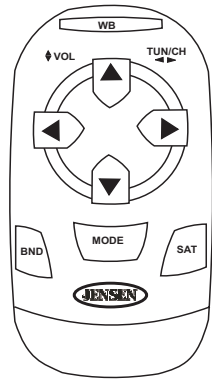




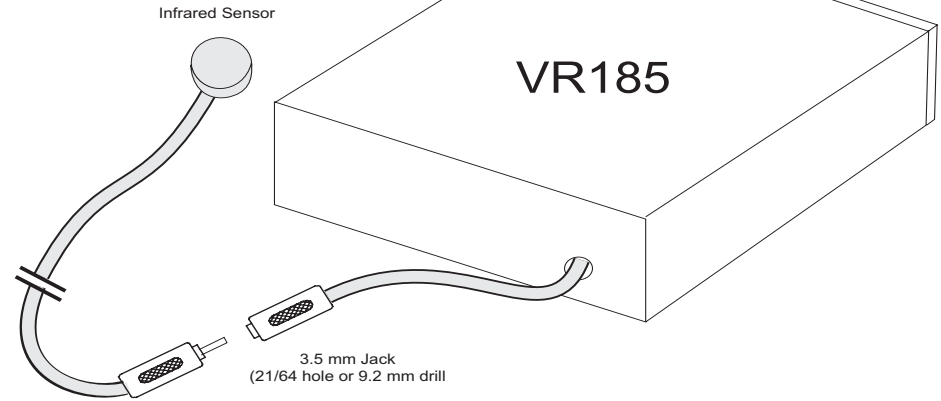
REMVR185KIT

Remote Control Kit



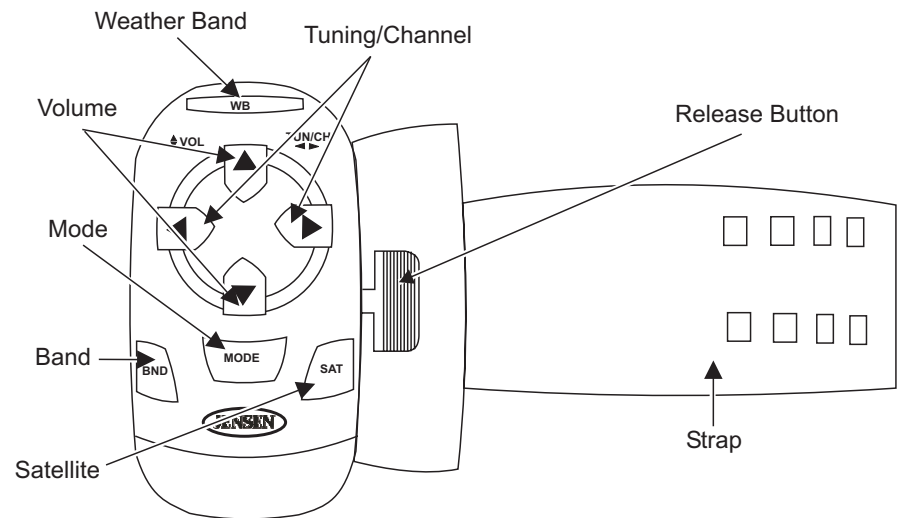
Mounting the Base

1. Detach remote from base/strap by pressing the release button and pulling up.
2. Remove the two screws on the base that appear when the remote is removed.
3. Position strap around steering wheel, and pull tight. Replace plate and screws.
4. Insert battery (Lithium 2032 3-volt) into remote control, and reinstall the remote onto the base/strap.



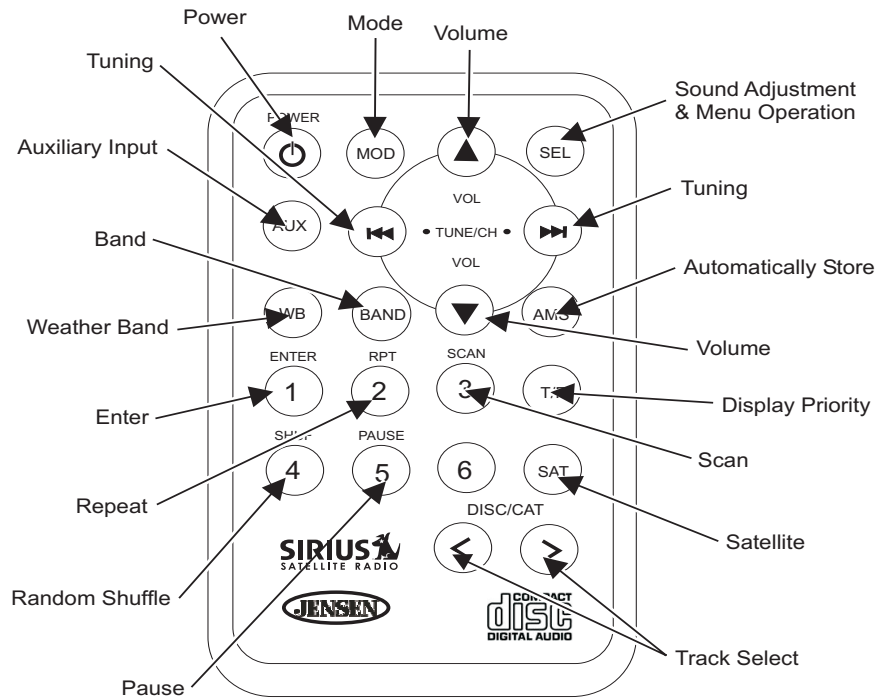
Installing the IR Sensor

Select a mounting location close to the steering wheel, and drill a 21/64 hole for the 3.5 mm. jack to pass through. Route the infrared sensor wire through the hole, secure the sensor with double-sided sticky tape and connect to the car radio via the 3.5 mm. jack on the back of the unit.



Steering Wheel Remote Control

This remote control mounts to the steering wheel and operates the basic functions of the car radio, including volume, tuning, mode, band, satellite and weather band.



Infrared Remote Control

This hand-held remote control also operates the basic functions of the car radio. Install the battery (Lithium 2032 3-volt) and infrared sensor (see below) before first use.

Limited Warranty

(90 Day / 12 Month)

AUDIOVOX SPECIALIZED APPLICATIONS, LLC (the Company) warrants to the original retail purchaser of this product that should this product or any part thereof, under normal use and conditions, be proven defective in material or workmanship within 90 days from the date of original purchase, such defect(s) will be repaired or replaced (at the Company's option) without charge for parts and repair labor. After the initial 90 day period and for a period of 12 months from the date of the original purchase, the Company will supply at no charge a replacement for any defective part(s)

To obtain repair or replacement within the terms of this warranty, the end user should contact the O.E.M. The product is to be delivered to the OEM or original place of purchase, with proof of warranty coverage (e.g. dated bill of sale, and serial number of the unit, and vin#), specification of defect(s), transportation prepaid, to an approved warranty station.

This warranty does not extend to the elimination of externally generated static or noise, to the correction of antenna problems, to costs incurred for removal or reinstallation of the product, or to damage to any tapes, cd's, dvd's, speakers, accessories, or electrical systems. This warranty does not apply to any product or part thereof which, in the opinion of the Company, has been damaged through alteration, improper installation, mishandling, misuse, neglect, or accident.

THE EXTENT OF THE COMPANY'S LIABILITY UNDER THIS WARRANTY IS LIMITED TO THE REPAIR OR REPLACEMENT PROVIDED ABOVE, AND, IN NO EVENT, SHALL THE COMPANY'S LIABILITY EXCEED THE PURCHASE PRICE PAID BY THE PURCHASER FOR THE PRODUCT.

This warranty is in lieu of all other express warranties or liabilities. ANY IMPLIED WARRANTIES, INCLUDING ANY IMPLIED WARRANTY OF MERCHANTABILITY, SHALL BE LIMITED TO THE DURATION OF THIS WARRANTY. ANY ACTION FOR BREACH OF ANY WARRANTY HEREUNDER INCLUDING ANY IMPLIED WARRANTY OF MERCHANTABILITY MUST BE BROUGHT WITHIN A PERIOD OF 30 DAYS FROM THE DATE OF ORIGINAL PURCHASE. IN NO CASE SHALL THE COMPANY BE LIABLE FOR ANY CONSEQUENTIAL OR INCIDENTAL DAMAGES FOR BREACH OF THIS OR ANY OTHER WARRANTY, EXPRESS OR IMPLIED WHATSOEVER.

No person or representative is authorized to assume for the Company any liability other than that expressed herein in connection with the sale of this product.

Some states do not allow limitations on how long an implied warranty lasts or the exclusion or limitation of incidental or consequential damages so the above limitations or exclusions may not apply to you. This warranty gives you specific legal rights and you may also have other rights which vary from state to state.

ASA Electronics Corporation

www.asaelectronics.com

© 2005 ASA Electronics Corporation

v.041205