

**Voyager**  
Observation Systems  
EXPAND your vision

**NTSC SYSTEM WVCMS10B**

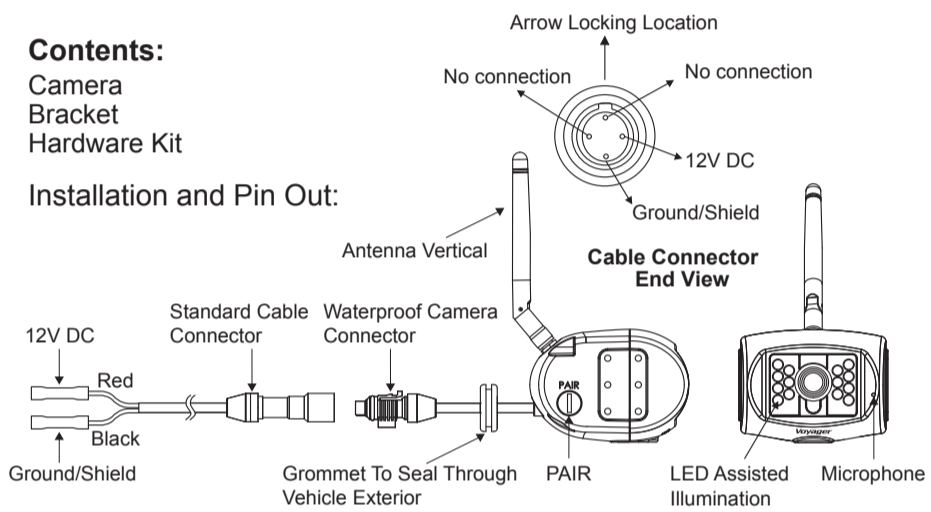
**WVCMS10B Features:**

- 2.4~2.5GHz Digital Wireless
- High Performance CMOS Sensor
- IR LED low Light Enhancement
- Waterproof (IPX6)
- Wide View Angle
- Integrated Audio Microphone

**Contents:**

Camera  
Bracket  
Hardware Kit

**Installation and Pin Out:**



**Specifications**

Mounting Type	External type
Image sensor	1/3" CMOS camera
Resolution	320 TV lines
Min illumination	1.0 Lux at F2.0 0 Lux with IR on
Water resistance	IPX6
View angle	93°(H), 66°(V), 117°(D)
Dimension	92(W) X 76(H) X 83(D)mm 3.6(W) X 3.7(H) X 3.3(D)Inch
Working temperature	-20°C ~ +65°C
Weight	Approx. 0.79kg / 1.74lbs

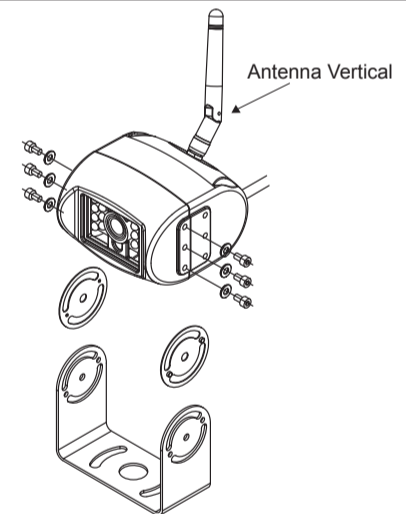
**Camera to bracket hardware**

Specifications	Q'ty	Specifications	Q'ty
Hex Socket Head M4 X 6L Stainless screws	6	Washer 37.5 X 5 X 0.5mm PP	2
Flat washer 4.5 X 9.5 X 1mm Stainless	6		
Tapping P/H w/washer 5 X 16mm Stainless	4		
Allen	1		

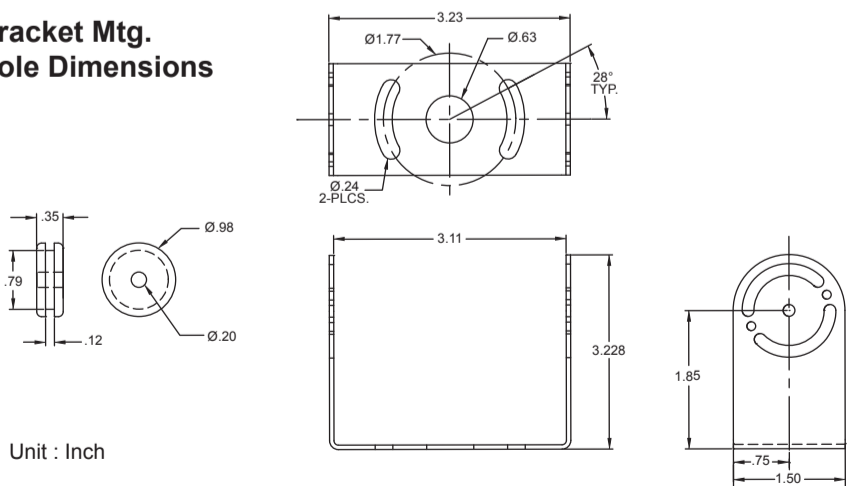
**Installation**

**Screw For Use**

Hex Socket Head M4 X 6L Stainless screws  
Flat Washers 4.5x9.5x1mm Stainless  
Allen wrench

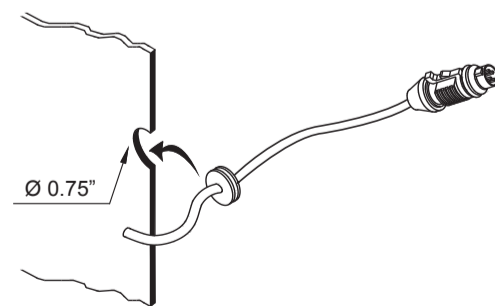


**Bracket Mtg. Hole Dimensions**



Unit : Inch

**Recommended grommet Hole**



Unit: Inch